

HIGH POWER LED SPREADER LAMP

MODEL No. HP6, HP6-BAT (Bausch American Towers**) PATENTED



Thank you for choosing the HP6! Properly installed, these lamps will last far beyond their FIVE YEAR warranty. These intense LED spreaders incorporate the latest LED and driver technology. Cree's newest XP LEDs were recently fitted to the HP spreader lamps for even higher lumen-per-watt output with more light output and less electrical current draw.

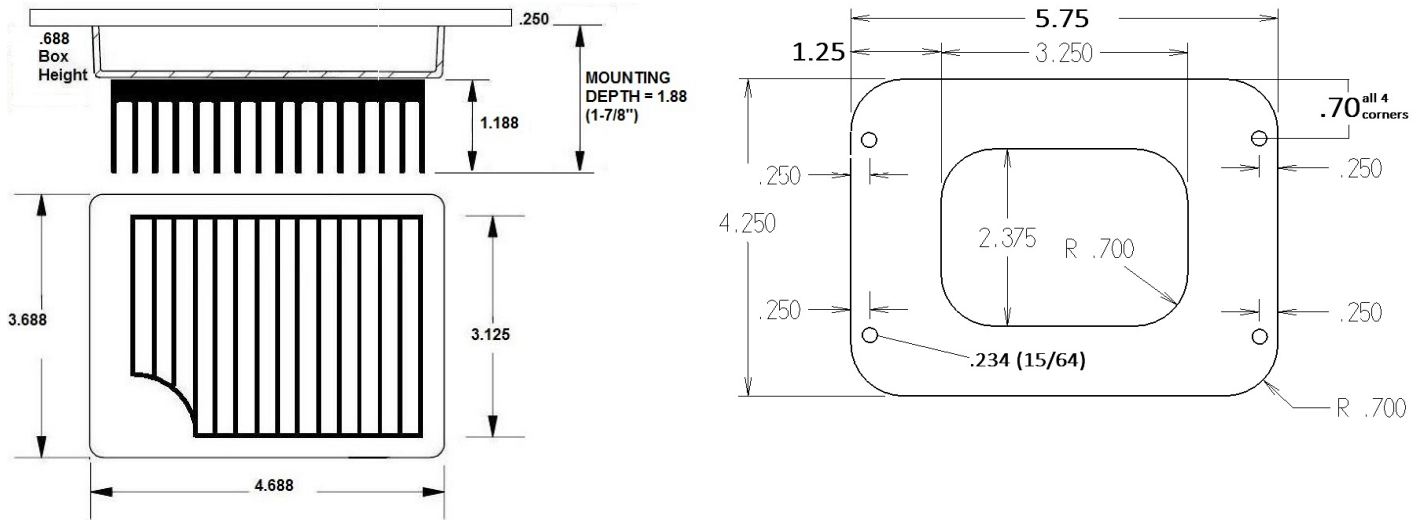
COMPARE THESE FEATURES AND BENEFITS

- **THE MOST POWERFUL** LED spreader for it's size. Multi-chip (18 total) power LED's deliver cool, efficient daylight-white illumination. Incomparable power and flexibility in a small footprint.
- Purpose-built for the marine industry to IP-67 standards. Constructed of marine grade aluminum. Closely matches white gel coat finishes.
- Highly efficient optics deliver light where needed, for much more usable light at the workspace. Less energy is wasted as heat, compared to conventional lighting. Combinations of all spot, oval or flood beams are also available. Please see the note on the following page about the "FF" full flood option. See available color temps below.
- Self-contained constant-current 12-36VDC drivers with 96% circuit efficiency, drawing only a fraction of the power of halogen (incandescent) lighting systems and much more efficient than most other power LED luminaires. Such efficient operation means they draw much less electrical current and produce less heat than halogen floods, preserving battery power and improving safety.
- Exterior surfaces are primed with [Liquiguard PC](#) for aluminum, then TCIG powder-coated for a durable finish.
- **Available in polished 316. Custom bezel sizes are available for retrofit applications.**

HP6 specifications

HP6 - 2.5 amps at 12V, 1.25 amps at 24V / AC version 1 amp at 90-305V AC
DC Power input range- 12-36V, AC version has external driver
5,000 usable lumens - compares to 120V 500W halogen
5 year warranty
please see www.sonicillusions.com for other models

HP6 Dimensions



Cut-out: 3-11/16 x 4-11/16"

Mounting depth: 2-1/16"

NOTE: Ventilation is highly recommended for longevity.

Lamp should be installed in an area of sufficient air space to permit cooling from heat sink.

Pod volume and wire chase should be sufficient. Extra ventilation (vents) recommended. **DO NOT** modify heat sink.

Special ordering notes:

The HP6 has a high intensity beam of cool white light of approximately 6500K at 5,000 lumens, which includes losses from optics. The optics are precision-engineered to provide a wide elliptical flood beam with a nice vertical spread and outshines any halogen fixture, without the wasteful stray light.

6500K daylight white (cool white) is standard. Other color temperatures available are 5,000K, 4,000K (neutral) and 3,000 (warm white). **Please use suffix 5K, 4K or 3K for your choice.** There is a price difference for non-standard white color temps.

All custom-made bezel lamps are custom pre-paid projects.

6500K daylight white (cool white) is standard. Other color temperatures available are 4,000K (neutral) and 3,000 (warm white), one row red or royal blue. Call for other color information. There is a small up-charge for non-standard white color temps. There is a small up-charge for non-standard white temps and other colors. All non-standard colors are custom pre-paid projects.

****Notes on BAT (Bausch American Towers) lamps:**

The bezels are custom-made for drop-in retrofit applications on many of the older Bausch American Towers hard tops. The OEM stainless steel trim rings are not used. The opening must be made larger in many applications. Please see the cut-out dimensions and keep width tight to 4-11/16" which will ensure maximum material for screws (included). Run a bead of caulk around the perimeter of the opening before installing, then finish with a bead of caulk around the bezel edge.

It is recommended to wire some lamps separately, for use when full intensity is not needed.

